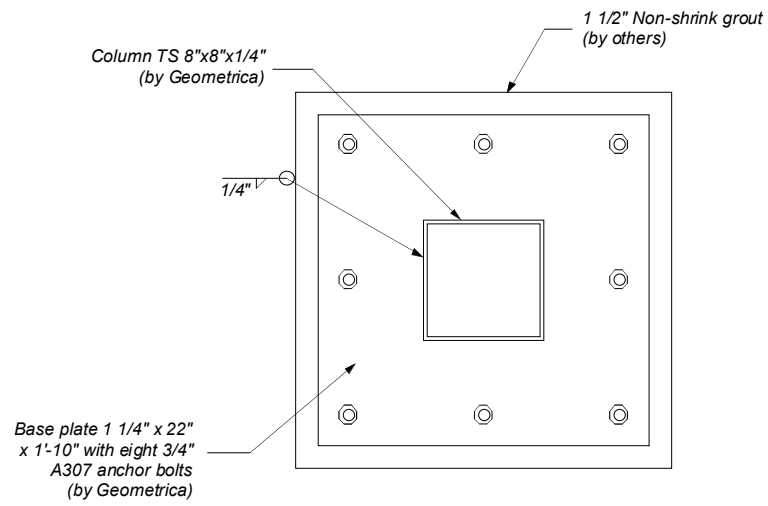


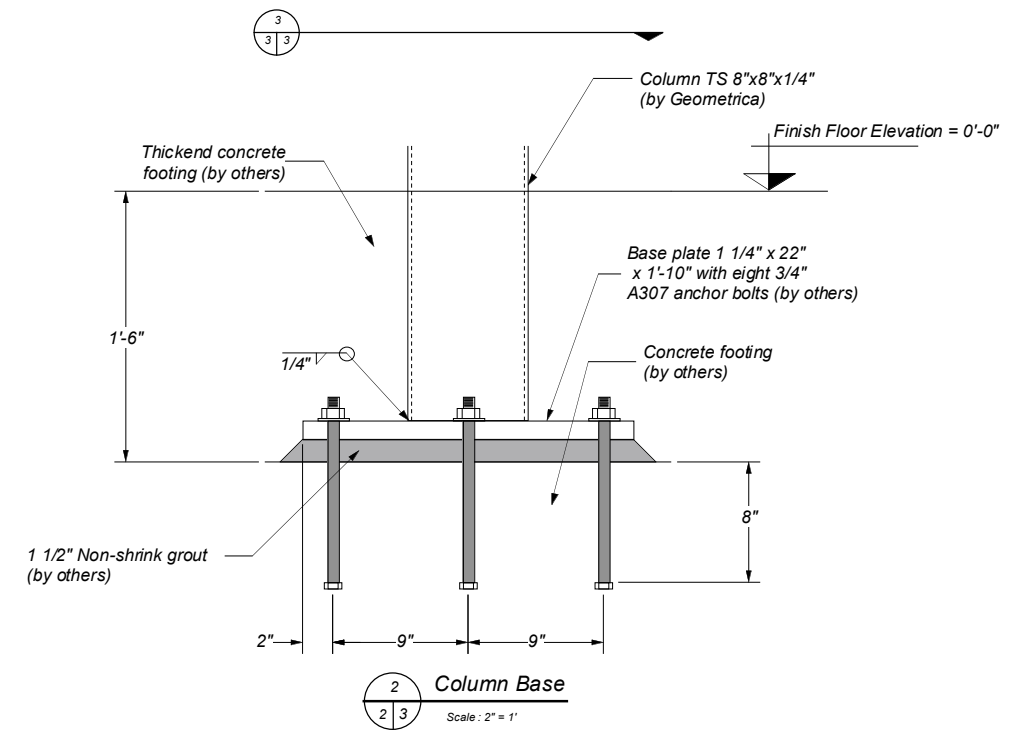
Notes:
 CL = Cladding
 CC = Center of connector
 TC = Top of column



3
3 3
Column Base
 Scale: 2" = 1'

Column TS 8 x 8 x 1/4

1
2 3
Pyramid
 Scale: 1 1/2" = 1'



2
2 3
Column Base
 Scale: 2" = 1'