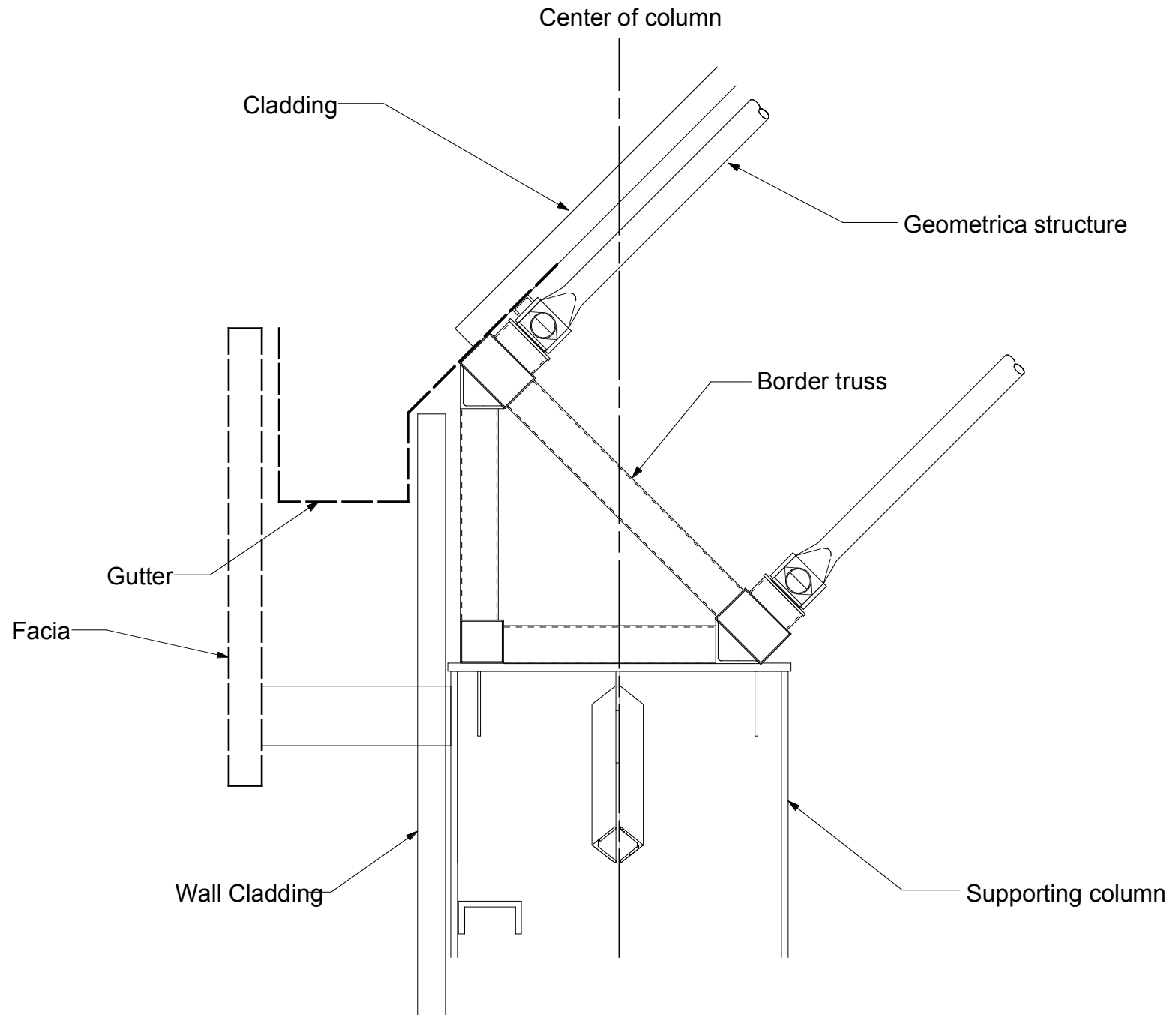
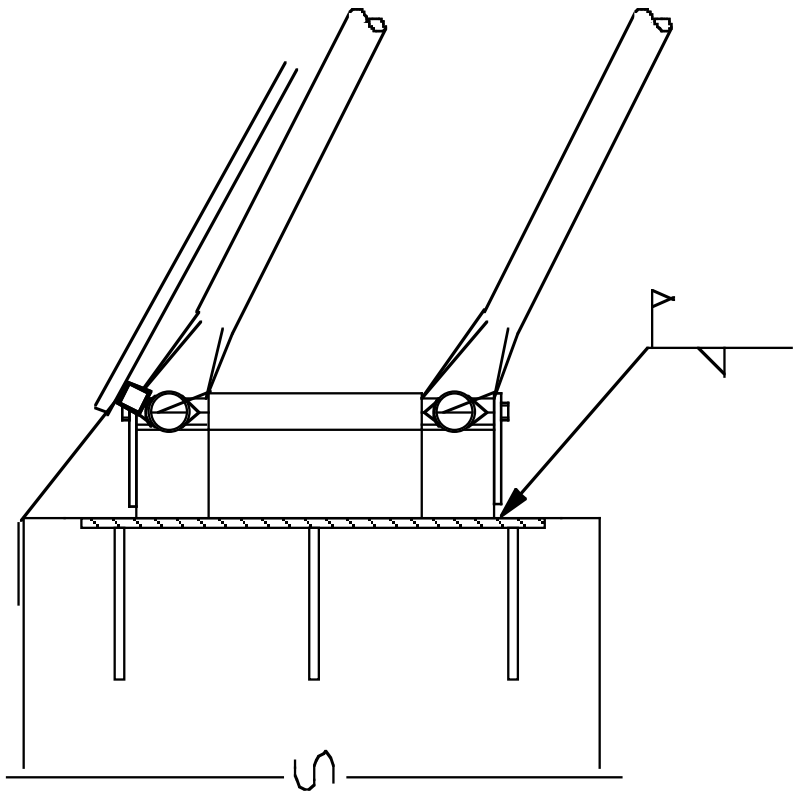


Steel Tube Edge Beam



Steel Edge Truss



Concrete Support

Typical Dome Support Details